

[Home](#) → [Spec Search](#) → [All Types](#) → [Hydraulic Excavator](#) → [JCB](#) → js240 lc

JCB JS240 LC HYDRAULIC EXCAVATOR

[VIEW ARTICLES ON THIS ITEM](#)

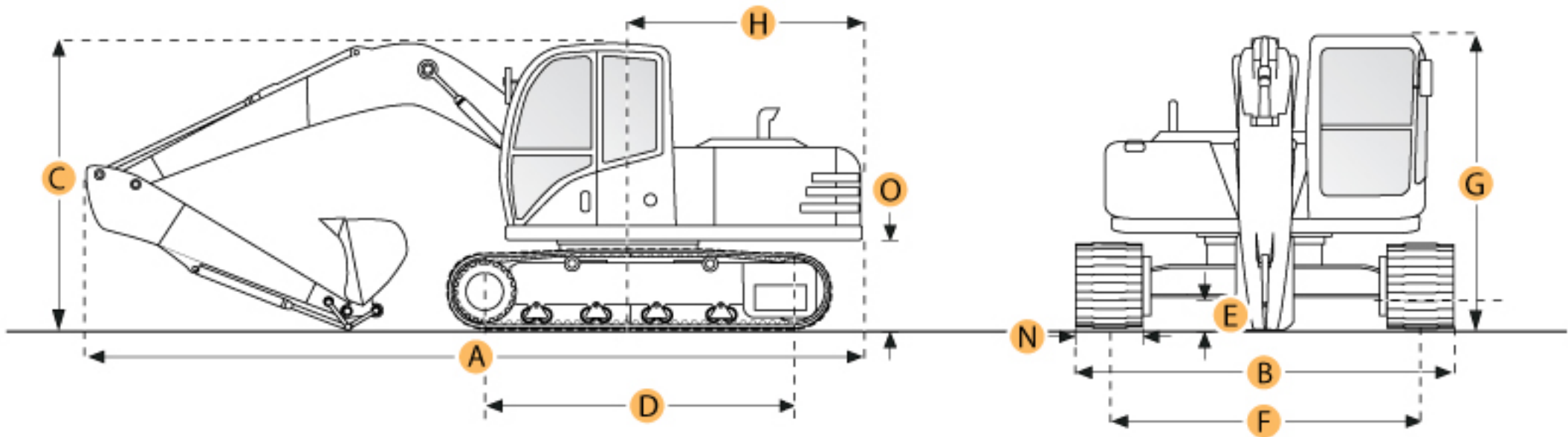
Print specification

Looking to purchase this item?

[Find a JCB js240 lc Hydraulic Excavator](#) being sold at Ritchie Bros. auctions.

Need to sell equipment?

[Complete this form](#) and a Ritchie Bros. representative will contact you.



Selected Dimensions

Boom/Stick Option

Boom/Stick Option (HEX) 1

A. SHIPPING LENGTH OF UNIT	33.1 ft in	10083 mm
C. SHIPPING HEIGHT OF UNIT	10.4 ft in	3173 mm
I. MAX CUTTING HEIGHT	29 ft in	8840 mm
J. MAX LOADING HEIGHT	20.2 ft in	6150 mm
K. MAX REACH ALONG GROUND	29.5 ft in	8990 mm
L. MAX VERTICAL WALL DIGGING DEPTH	14.8 ft in	4510 mm
M. MAX DIGGING DEPTH	18.8 ft in	5720 mm

Dimensions

B. WIDTH TO OUTSIDE OF TRACKS	10.5 ft in	3190 mm
D. LENGTH OF TRACK ON GROUND	12.6 ft in	3840 mm
E. GROUND CLEARANCE	1.6 ft in	486 mm
G. HEIGHT TO TOP OF CAB	9.8 ft in	2980 mm
H. TAIL SWING RADIUS	9.8 ft in	3000 mm
O. COUNTERWEIGHT CLEARANCE	3.7 ft in	1125 mm

Undercarriage

F. TRACK GAUGE	8.5 ft in	2590 mm
N. SHOE SIZE	27.6 in	700 mm

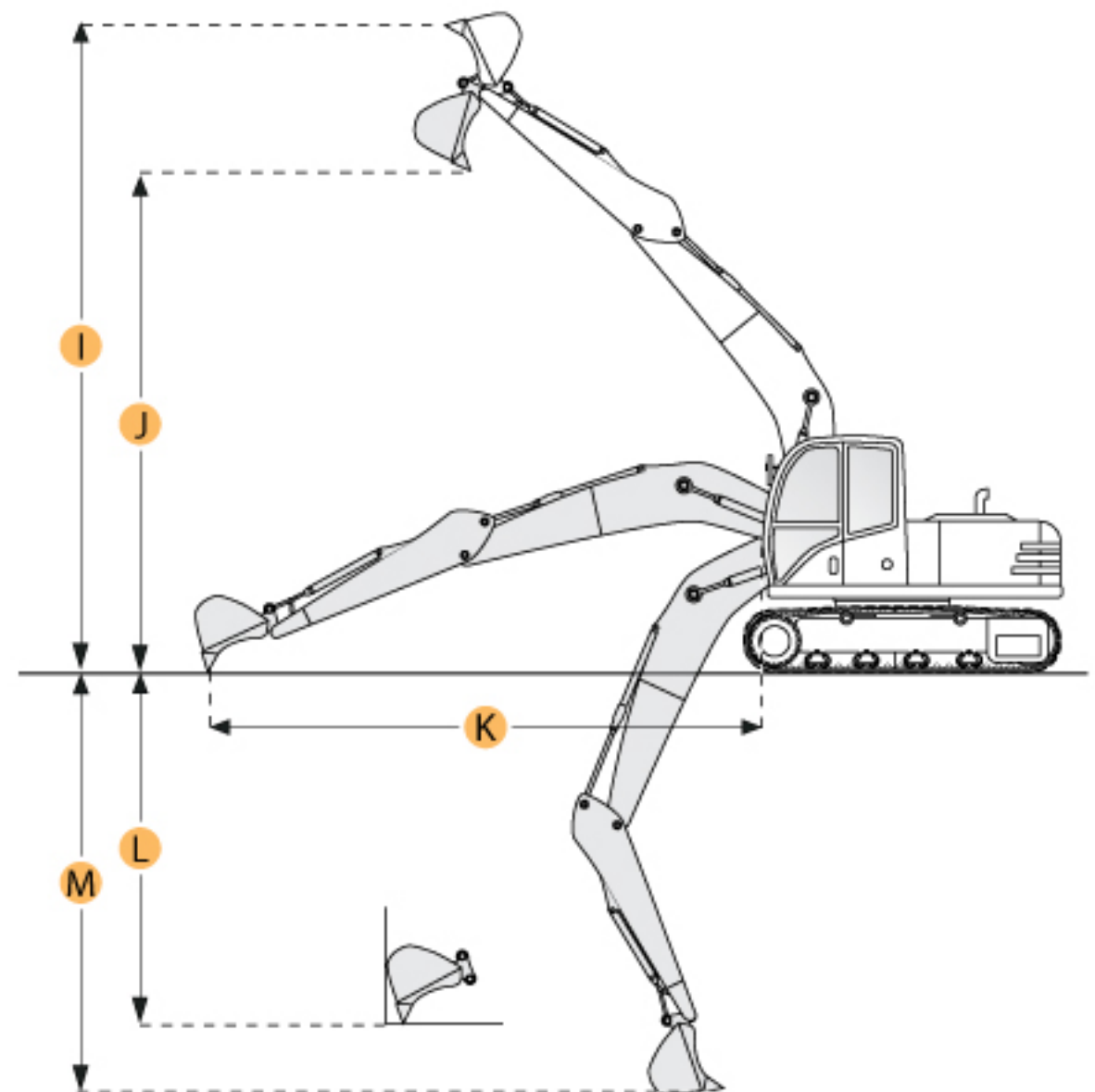
Specification

Engine

MAKE	Isuzu	
MODEL	BB-6BGITR8-06	
NET POWER	160 hp	119.3 kw
POWER MEASURED @	2150 rpm	
DISPLACEMENT	396.3 cu in	6.5 L
ASPIRATION	turbocharged	
NUMBER OF CYLINDERS	6	

Operational

OPERATING WEIGHT	55556.5 lb	25200 kg
FUEL CAPACITY	90.6 gal	343 L
COOLING SYSTEM FLUID CAPACITY	7.1 gal	26.8 L
HYDRAULIC SYSTEM FLUID CAPACITY	63.7 gal	241 L
ENGINE OIL CAPACITY	5.7 gal	21.5 L
SWING DRIVE FLUID CAPACITY	1.6 gal	6 L



HYDRAULIC SYSTEM RELIEF VALVE PRESSURE	4975 psi	34301.4 kPa
HYDRAULIC PUMP FLOW CAPACITY	114.1 gal/min	432 L/min

Swing Mechanism

SWING SPEED	10.6 rpm
-------------	----------

Undercarriage

NUMBER OF SHOES PER SIDE	51
SHOE SIZE	27.6 in 700 mm
NUMBER OF CARRIER ROLLERS PER SIDE	2
NUMBER OF TRACK ROLLERS PER SIDE	9
MAX TRAVEL SPEED	3.5 mph 5.6 km/h
TRACK GAUGE	8.5 ft in 2590 mm

Buckets

REFERENCE BUCKET CAPACITY	1.5 yd3	1.1 m3
MINIMUM BUCKET CAPACITY	1 yd3	0.77 m3
MAXIMUM BUCKET CAPACITY	1.9 yd3	1.5 m3

Boom/Stick Option (HEX) 1

BOOM/STICK OPTION (HEX) 1	Monoboom 5850mm w/ arm 2000mm	
SHIPPING HEIGHT OF UNIT	10.4 ft in	3173 mm
SHIPPING LENGTH OF UNIT	33.1 ft in	10083 mm
MAX DIGGING DEPTH	18.8 ft in	5720 mm
MAX REACH ALONG GROUND	29.5 ft in	8990 mm
MAX CUTTING HEIGHT	29 ft in	8840 mm
MAX LOADING HEIGHT	20.2 ft in	6150 mm
MAX VERTICAL WALL DIGGING DEPTH	14.8 ft in	4510 mm

Boom/Stick Option (HEX) 2

BOOM/STICK OPTION (HEX) 2	Monoboom 5850mm w/ arm 2440mm	
SHIPPING HEIGHT OF UNIT	10.6 ft in	3230 mm
SHIPPING LENGTH OF UNIT	33 ft in	10060 mm
MAX DIGGING DEPTH	20.1 ft in	6140 mm
MAX REACH ALONG GROUND	31 ft in	9450 mm
MAX CUTTING HEIGHT	30.3 ft in	9230 mm
MAX LOADING HEIGHT	21.2 ft in	6470 mm
MAX VERTICAL WALL DIGGING DEPTH	17.6 ft in	5350 mm

Boom/Stick Option (HEX) 3

BOOM/STICK OPTION (HEX) 3	Monoboom 5850mm w/ arm 3090mm	
SHIPPING HEIGHT OF UNIT	10 ft in	3050 mm
SHIPPING LENGTH OF UNIT	32.7 ft in	9960 mm
MAX DIGGING DEPTH	22.3 ft in	6790 mm
MAX REACH ALONG GROUND	32.8 ft in	10010 mm
MAX CUTTING HEIGHT	31.6 ft in	9620 mm
MAX LOADING HEIGHT	22.4 ft in	6830 mm
MAX VERTICAL WALL DIGGING DEPTH	20.4 ft in	6210 mm

Boom/Stick Option (HEX) 4

BOOM/STICK OPTION (HEX) 4	Monoboom 5850mm w/ arm 3530mm	
SHIPPING HEIGHT OF UNIT	10.6 ft in	3220 mm
SHIPPING LENGTH OF UNIT	32.8 ft in	10010 mm
MAX DIGGING DEPTH	23.7 ft in	7230 mm
MAX REACH ALONG GROUND	34.5 ft in	10520 mm
MAX CUTTING HEIGHT	32.3 ft in	9850 mm
MAX LOADING HEIGHT	23.1 ft in	7050 mm
MAX VERTICAL WALL DIG DEPTH	21.9 ft in	6670 mm

Dimensions

WIDTH TO OUTSIDE OF TRACKS	10.5 ft in	3190 mm
HEIGHT TO TOP OF CAB	9.8 ft in	2980 mm
GROUND CLEARANCE	1.6 ft in	486 mm
COUNTERWEIGHT CLEARANCE	3.7 ft in	1125 mm
TAIL SWING RADIUS	9.8 ft in	3000 mm
LENGTH OF TRACK ON GROUND	12.6 ft in	3840 mm